



Quality, Honesty, Service and Innovation



IC -SERIES

LED CANOPY LIGHT

UP TO **130LM/W**

400W MHL REPLACEMENT

● POWER: 75W/110W/150W

**EXPERTS WITH
PROFESSIONAL SOLUTION**

WWW.AOKLEDLIGHT.COM

LED CANOPY LIGHT

CONSTRUCTION

- Rugged low-profile die-cast aluminum housing.
- UV stabilized polyester powder paint finish for durability and corrosion resistance.
- Multiple Mounting options: Recessed Mount and Surface Mount available
- Suitable for wet location

ELECTRICAL

- 1-10V/ PMW/ Timer dimming, 3 Timer Modes, Dim-to-Off with Standby Power ≤ 0.5W
- High-performance driver features over-voltage, under voltage, short-circuit and over temperature protection.
- Standard Universal Voltage: 100-277Vac, Input 50-60Hz. 347/480V optional
- Total harmonic distortion: <20%
- Operating temperature: -40 °C to + 50 °C (-40 °F to 122 °F)
- Power factor > 0.9
- High-efficiency LEDs with integrated circuit board mount to the housing to maximize heat dissipation and promote long life.

OPTICAL SYSTEM

- Symmetrical distribution directs uniform light output through a specially designed optic lens.
- Optical systems maintain an IP65 rating.
- Available in 3000K, 4000K, 5000K, 5700K, 6500K CCT.
- Efficacy 130lm/w as standard, higher lumen output, precision light pattern ensures more energy saved.
- Minimum CRI of 70, 80, and 90 optional.

LISTINGS / CERTIFICATES

- Luminaires are listed for use in wet locations.
- RoHS compliant.
- VEET, IPART Listing

FINISH

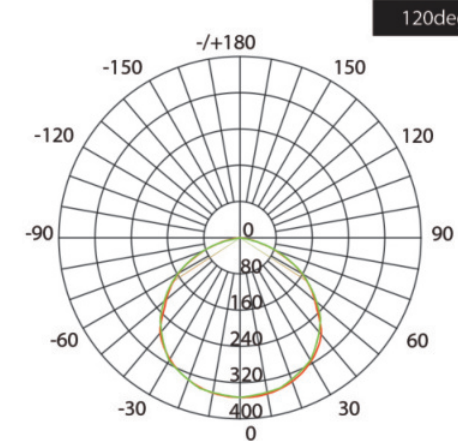
- Rugged, weather-tight design and 3G Vibration ratings ensure durability even in harsh environments.

up to 130lm/w

IC SERIES



PHOTOMETRY



AVERAGE BEAM ANGLE(50%):114.1 DEG

UNIT:CD/KLM

— C0/180,113.7deg — C90/270,114.5deg

All published Luminaires photometric testing performed to IESNA LM-79-08 standards by a NVLAP accredited Laboratory.

ORDERING INFORMATION

AOK								
WATTS	VOLTAGE	LED CHIPS	TYPE OF SENSOR	CCT&CRI	DISTRIBUTION	HOUSING	OPTIONS	
75Wic 110Wic 150Wic	NV=100-277V HV=347V/480V	L3=Lumileds3030	00=Without Sensor DV=Dimmable	3070=3000K 70CRI 4070=4000K 70CRI 5070=5000K 70CRI 5770=5700K 70CRI 6570=6500K 70CRI 3080=3000K 80CRI 4080=4000K 80CRI 5080=5000K 80CRI 5780=5700K 80CRI 6580=6500K 80CRI	120D=120deg	WH=White	Type B = Recessed Mounting 420*420mm Type C = Recessed Mounting 600*600mm Type D = Surface Mounting 420*420mm	

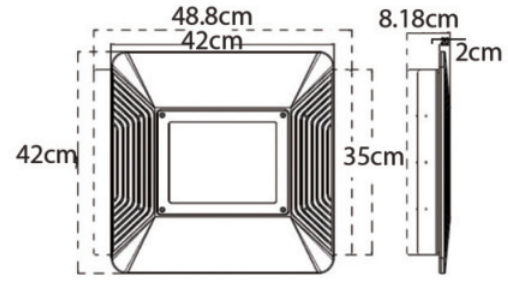
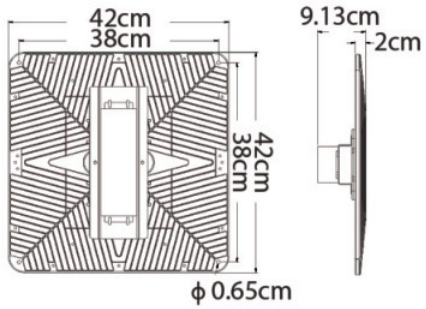


TECHNICAL SPECIFICATIONS

MODEL	WATTS	REPLACE MHL	IP&iK	FIXTURE DIMENSION	NW	MAXIMUM CURRENT
AOK-75WiC	75W	200W-300W	IP65&IK08	16.5"16.5"3.9" (42*42*10cm)	16.8lbs (7.6kg)	0.85A
AOK-110WiC	110W	300W-400W	IP65&IK08	16.5"16.5"3.9" (42*42*10cm)	16.8lbs (7.6kg)	1.25A
AOK-150WiC	150W	400W-600W	IP65&IK08	16.5"16.5"3.9" (42*42*10cm)	16.8lbs (7.6kg)	1.67A

MOUNTING OPTIONS

42*42cm Ceiling Mount Style E 42*42cm Recessed Installation Style B



60*60cm Recessed Installation Style C 42*42cm Surface Mounted Installation Style D

