

# Installation Guide

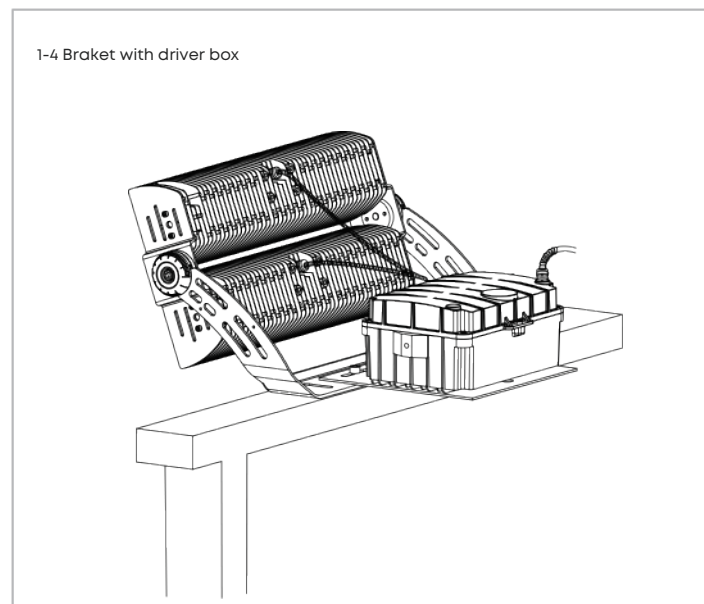
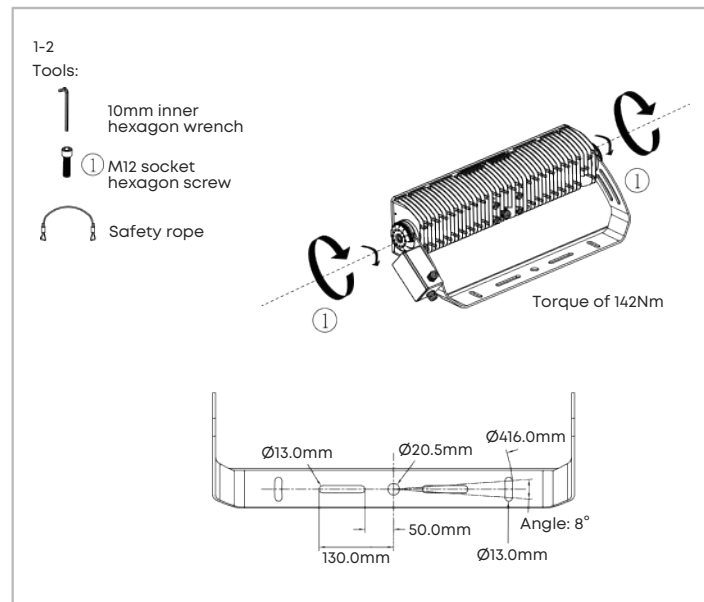
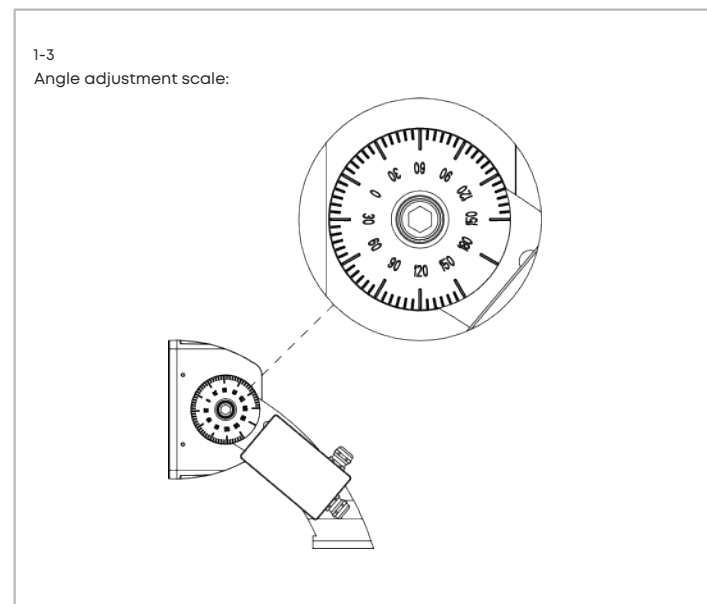
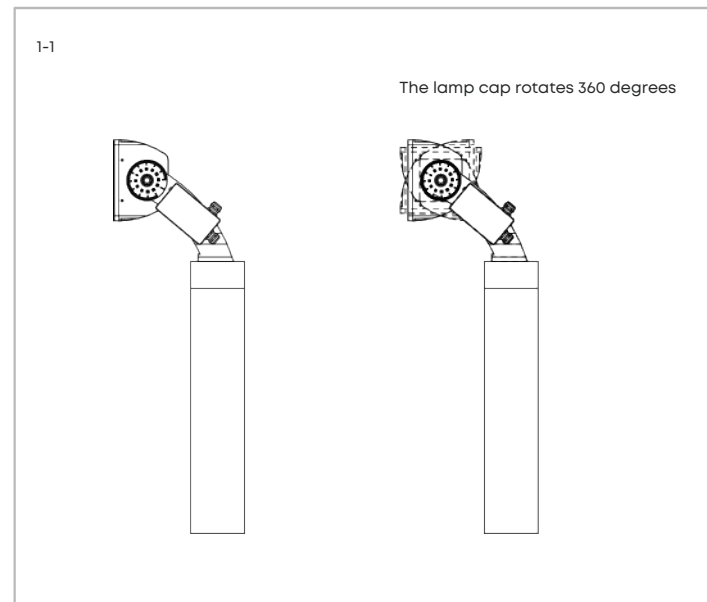
This procedure is designed as an installation aid. Skilled tradespeople that are familiar with general construction and electrical installation techniques should perform the installation. Licensed electricians should provide electrical installation connections. Installations and connections should be done in accordance with all national and local codes and permits. In no way is this document intended to construe warranty or fitness of use of the products described, nor is it intended to provide safety instruction for those installing the product.

## ⚡ WARNING

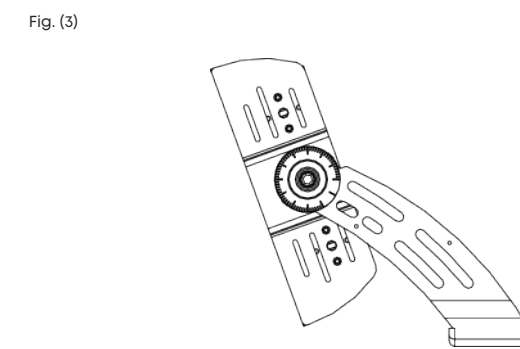
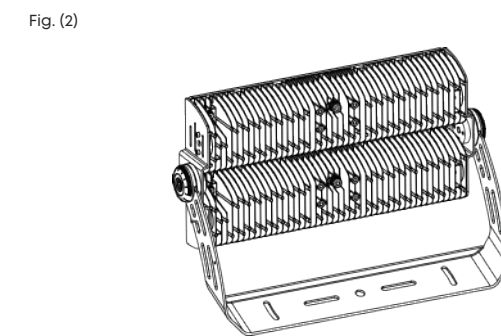
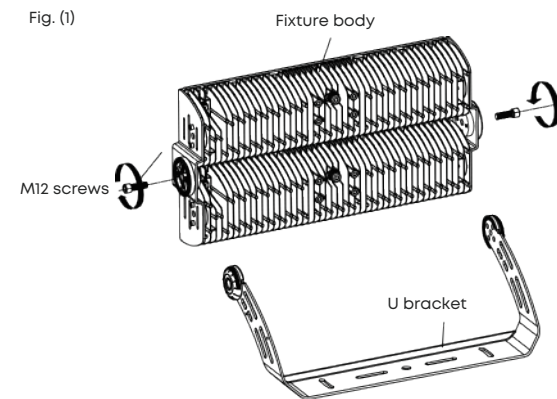
Before proceeding with installation or service maintenance of this product.

- Disconnect power to reduce electrical shock risk.
- Review the entire Installation Guide.
- Inspect this properly packaged product for any damage that may have occurred during transit.
- Verify product application complies with manufacturer design recommendations.
- Verify the availability of necessary tools and incidental material.
- Verify applicable code requirements. Field assembly and installation are subject to acceptance by local inspection authority.
- Appropriate safety equipment to be determined by end user, per applicable safety standards and precautions.

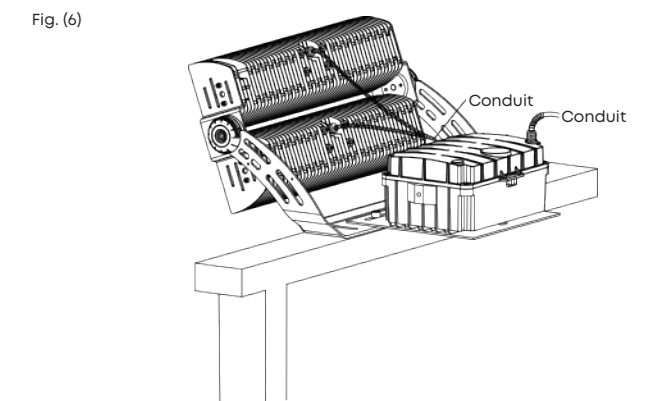
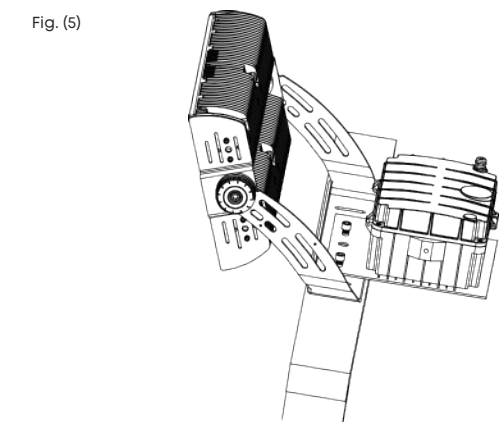
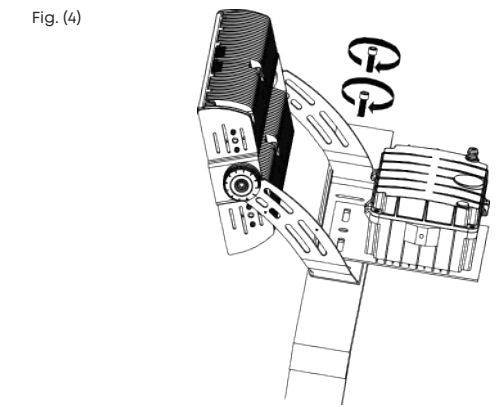
### Type-U Bracket Installation (Without visor)



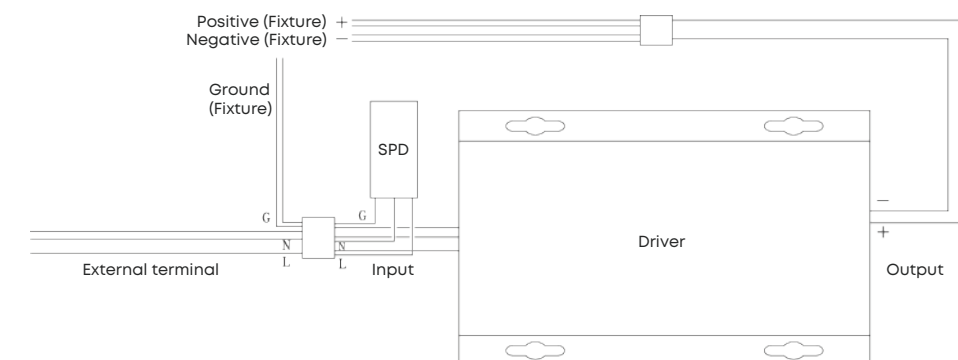
The first step:  
1) Fix the angle of U bracket and fixture body, then adjust the angle according to the result simulated by computer.  
2) Use a special tool and a torque of 142Nm to fix the U bracket and fixture body with 2 M12 inner hexagon screws, as shown in Fig. (1), (2) and (3).



The second step:  
Use special tools to fix the U bracket and the plate with driver box on the lamp pole with two M12 screws with a torque of 142Nm, as shown in Fig (4), (5) and (6).



### Wiring Diagram



# Installation Guide

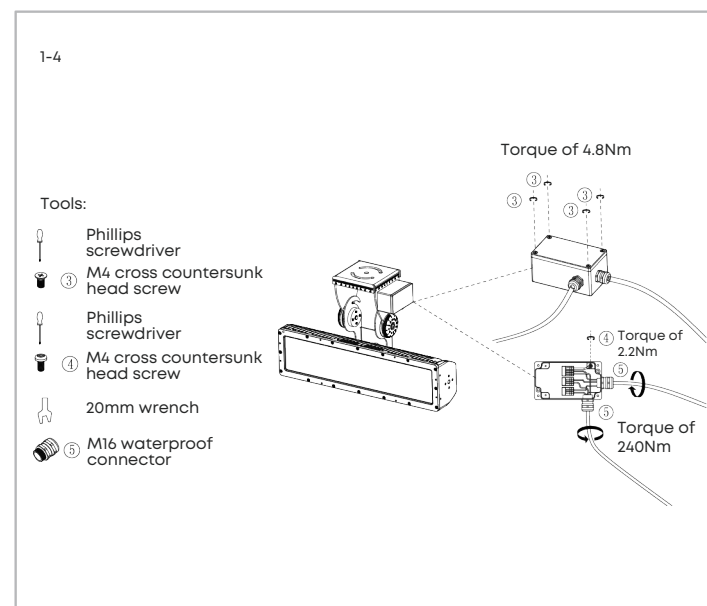
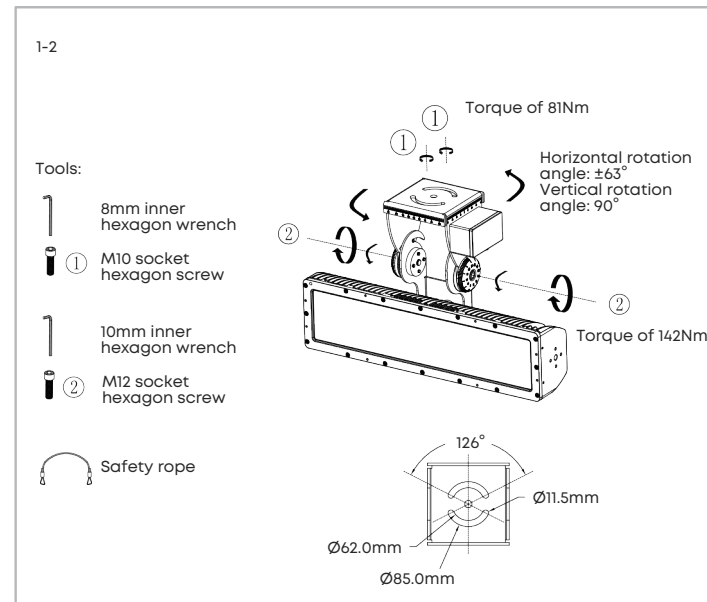
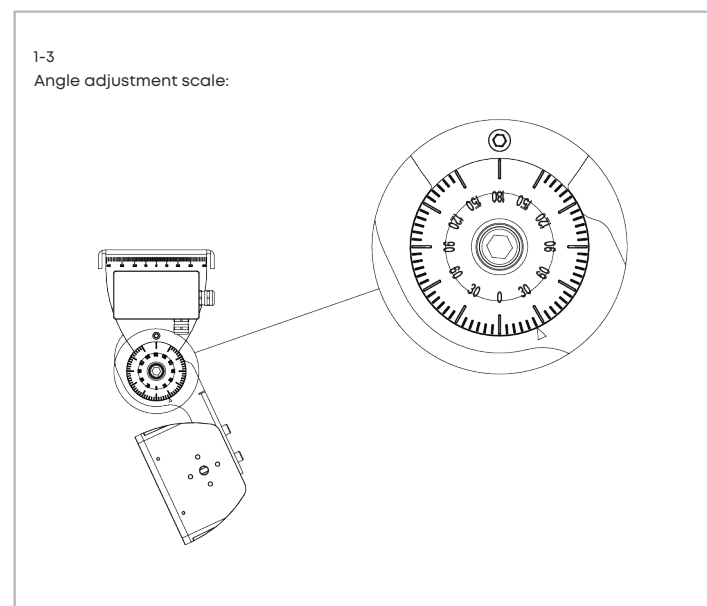
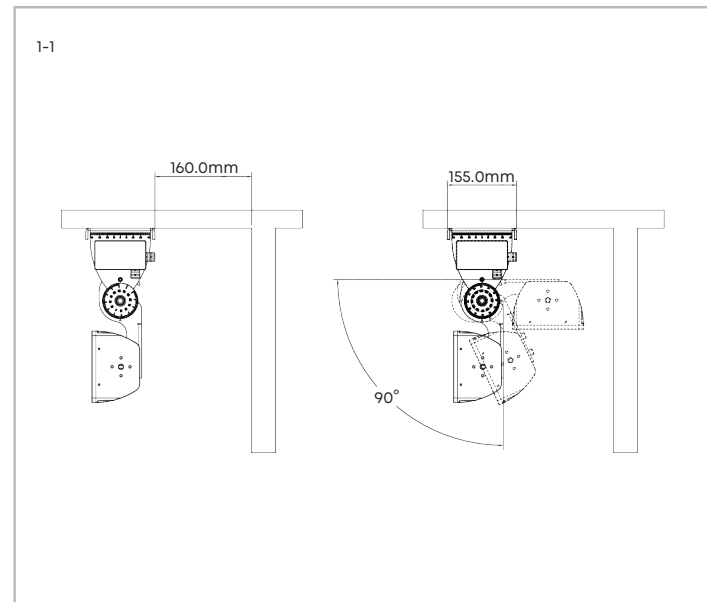
This procedure is designed as an installation aid. Skilled tradespeople that are familiar with general construction and electrical installation techniques should perform the installation. Licensed electricians should provide electrical installation connections. Installations and connections should be done in accordance with all national and local codes and permits. In no way is this document intended to construe warranty or fitness of use of the products described, nor is it intended to provide safety instruction for those installing the product.

## ⚡ WARNING

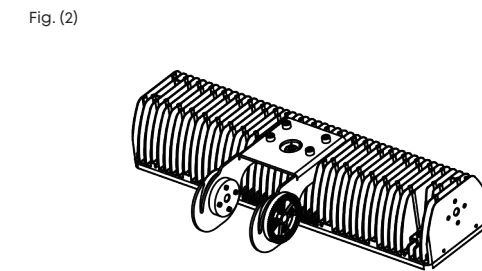
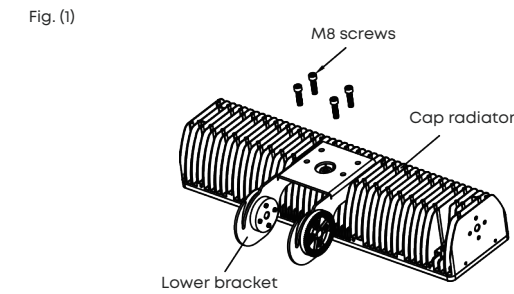
Before proceeding with installation or service maintenance of this product.

- Disconnect power to reduce electrical shock risk.
- Review the entire Installation Guide.
- Inspect this properly packaged product for any damage that may have occurred during transit.
- Verify product application complies with manufacturer design recommendations.
- Verify the availability of necessary tools and incidental material.
- Verify applicable code requirements. Field assembly and installation are subject to acceptance by local inspection authority.
- Appropriate safety equipment to be determined by end user, per applicable safety standards and precautions.

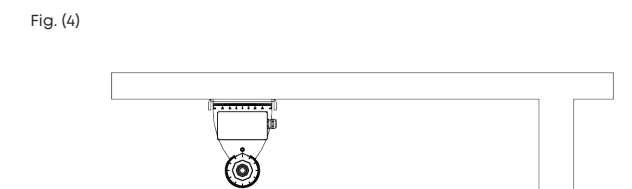
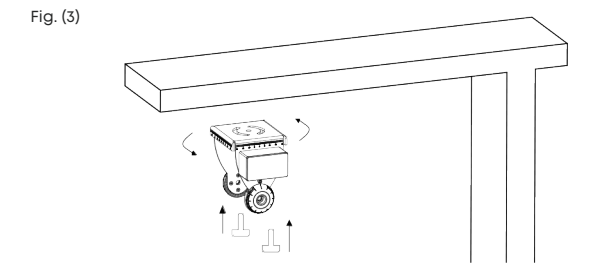
### Type-A Bracket Installation (Without visor)



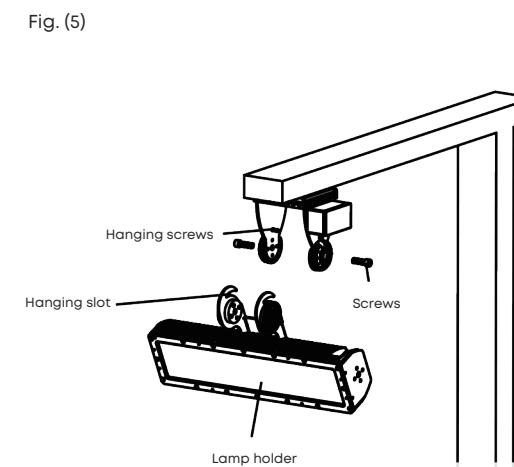
The first step:  
1) Fix the lower bracket on the lamp cap radiator with 4 M8 inner hexagon screws with a special tool and a torque of 41NMn, as shown in Fig (1) and Fig (2)



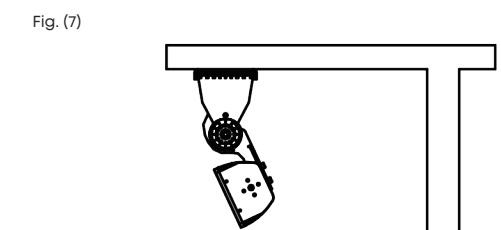
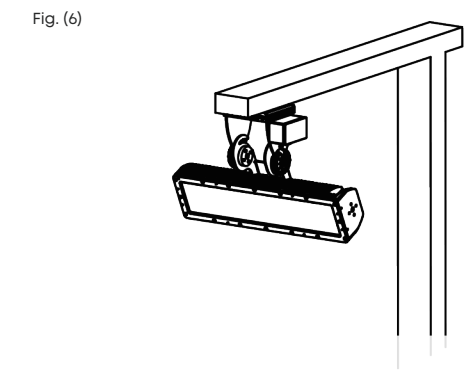
The second step:  
1) Adjust the Angle of bracket and lamp pole according to the Angle simulated by computer.  
2) Use special tools: fix the upper bracket on the lamp pole with two M10 screws with a torque of 81Nm, as shown in Fig (3) and Fig (4).



The third step:  
First put the lamp holder hanging groove into the mounting screw of the upper bracket, and then fix the lamp holder and the upper bracket with the M12 inner hexagon screw, and adjust the installation Angle of the lamp holder and the bracket according to the design, and then use special tools: with 142Nm torque to fix the M12 screw tightly. Fig (5).



The fourth step:  
Then the lamp holder and the junction box waterproof line of the male and female head connection is fixed. As shown in Fig (6) and Fig (7).



# Installation Guide

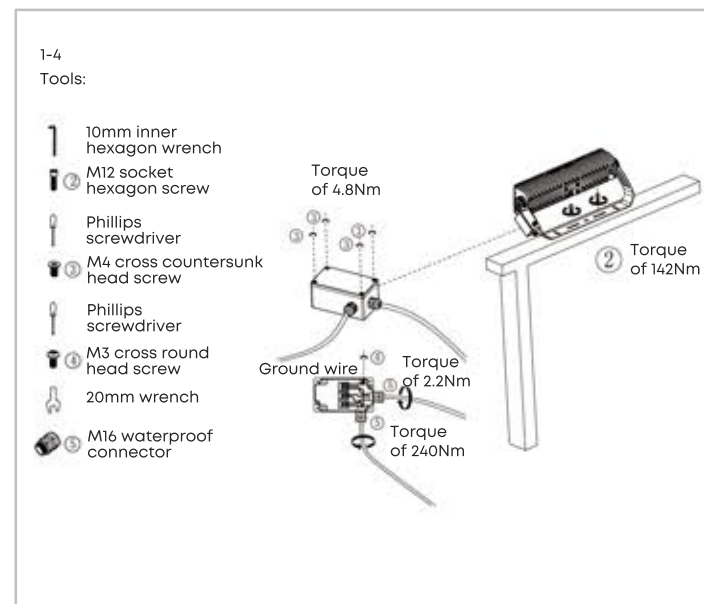
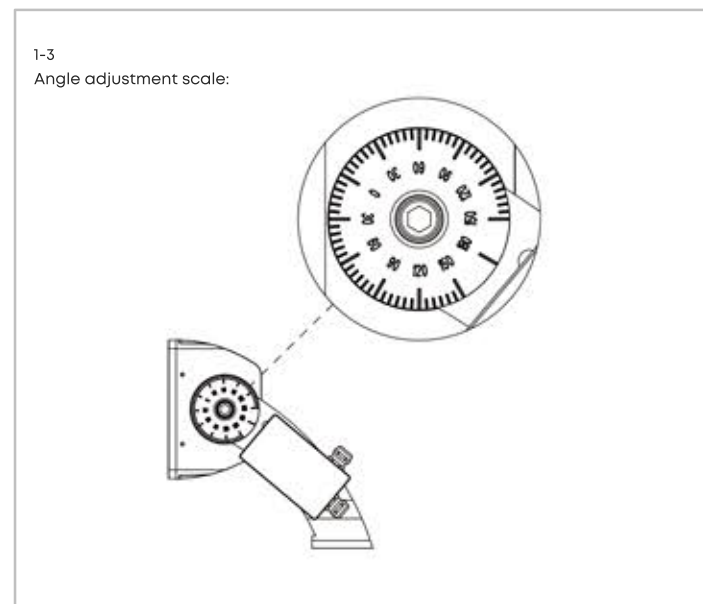
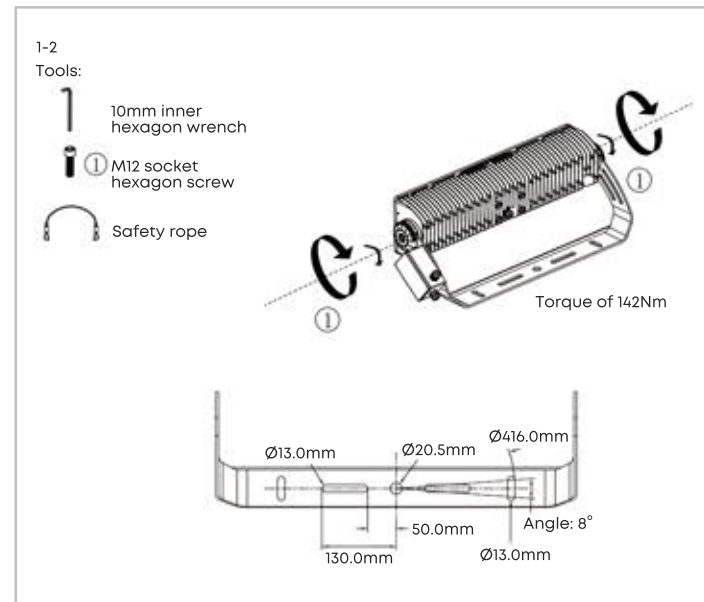
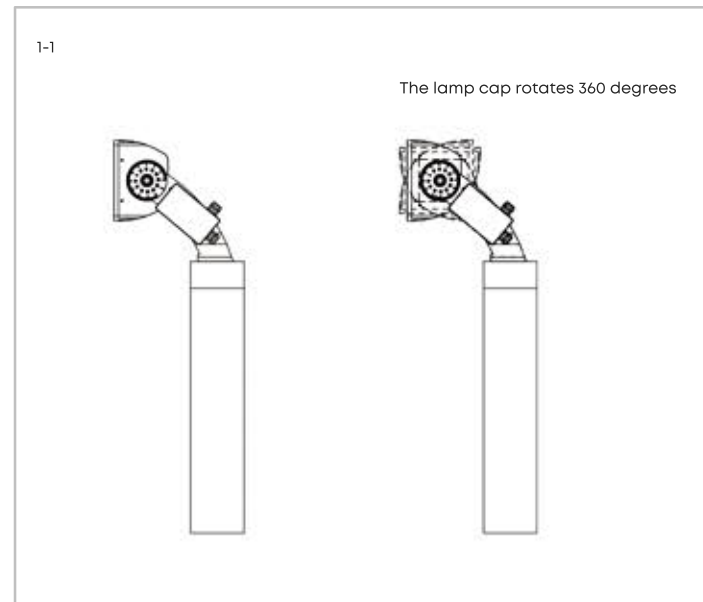
This procedure is designed as an installation aid. Skilled tradespeople that are familiar with general construction and electrical installation techniques should perform the installation. Licensed electricians should provide electrical installation connections. Installations and connections should be done in accordance with all national and local codes and permits. In no way is this document intended to construe warranty or fitness of use of the products described, nor is it intended to provide safety instruction for those installing the product.

## ⚡ WARNING

Before proceeding with installation or service maintenance of this product.

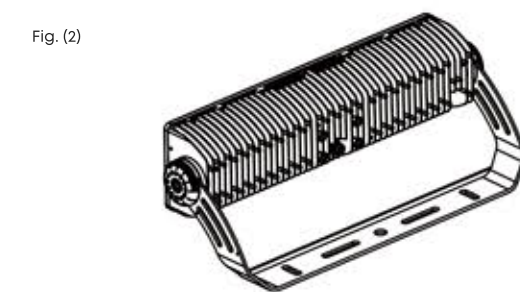
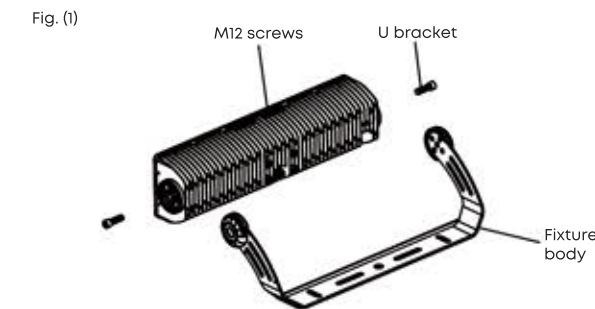
- Disconnect power to reduce electrical shock risk.
- Review the entire Installation Guide.
- Inspect this properly packaged product for any damage that may have occurred during transit.
- Verify product application complies with manufacturer design recommendations.
- Verify the availability of necessary tools and incidental material.
- Verify applicable code requirements. Field assembly and installation are subject to acceptance by local inspection authority.
- Appropriate safety equipment to be determined by end user, per applicable safety standards and precautions.

### Type-U Bracket Installation (Without visor)



The first step:

- 1) Adjust the Angle of U bracket and lamp holder according to the Angle simulated by computer.
- 2) Use a special tool and use a torque of 142Nm to support the U with 2 M12 inner hexagon screws. Fixed with lamp cap as shown in FIG. (1) and FIG. (2)



The second step:

Use special tools: fix the upper bracket on the lamp pole with two M12 screws with a torque of 142Nm, as shown in Fig (3) and (4).

